



**Smart  
Structures  
Solutions**

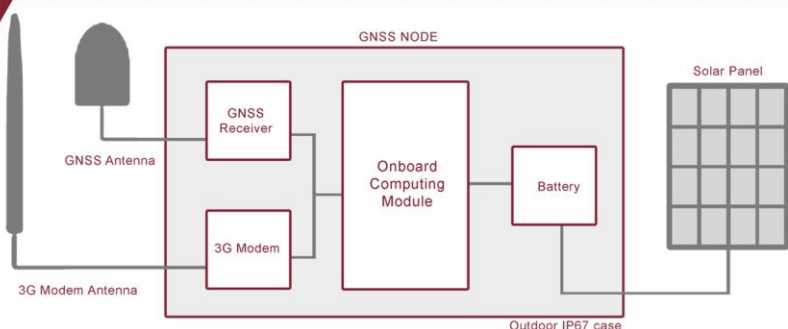
*...together making your structures safer*

# Position Surveyor

Verticality  
& Displacement  
Monitoring System

[www.smartstru.com](http://www.smartstru.com)





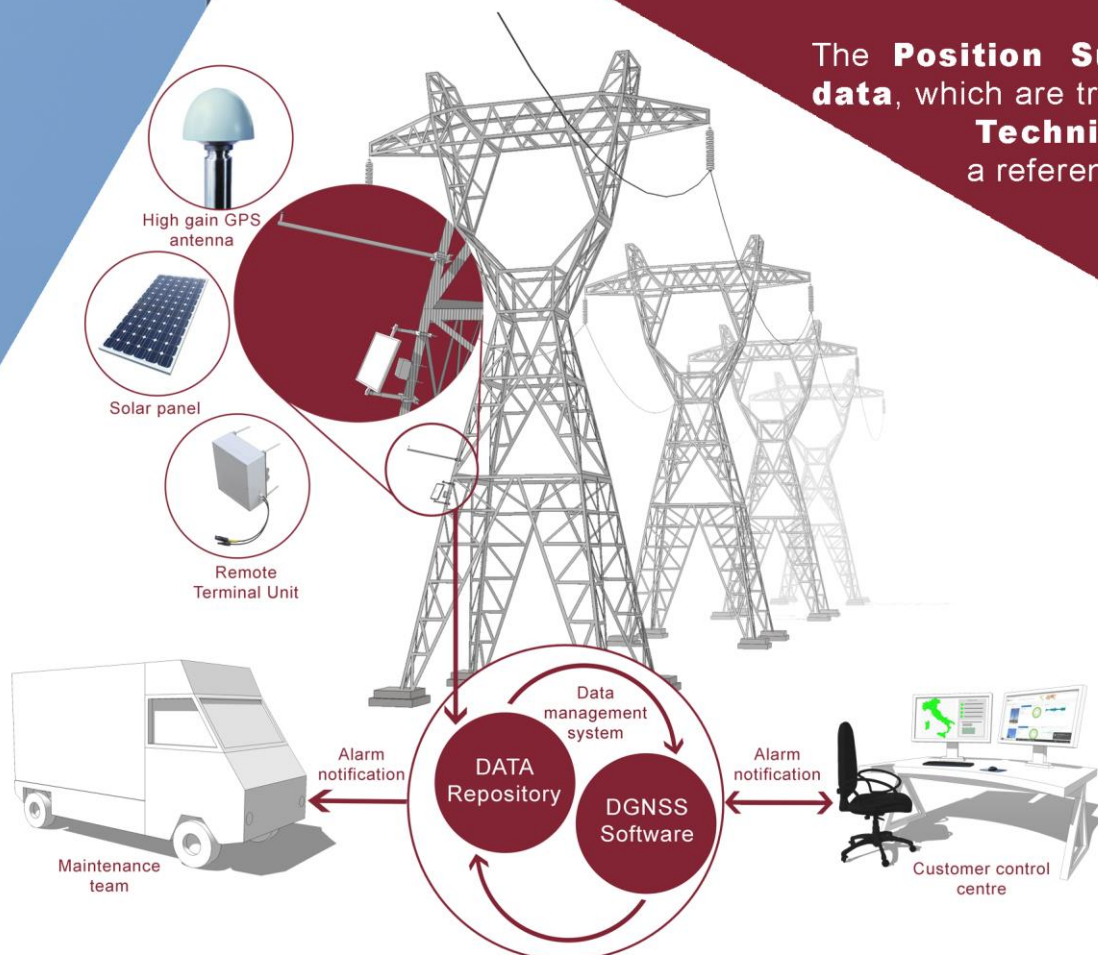
The GNSS node is a local device that has the task of collecting data relative to the position of a geometrical point (GNSS antenna) on the structure.

The **GNSS monitoring system** allows the customer to have a permanent monitoring of the **structure's displacement** and **verticality behavior remotely** using **space based** technology

Without the need of a field intervention, the customer can survey the structures in order to:

- Observe and evaluate unwanted structure **displacement behavior**
- Avoid **inaccuracies in signal distribution** due to unwanted structure leaning
- Avoid **risk of collapse** due to land sedimentation or landsliding

## System architecture



The **Position Surveyor** collects **GNSS data**, which are treated using **Differential Techniques** to accurately locate a referential point on the structure.

The Surveyor is installed with a mount structure **adapted to the specific asset** to be monitored

## Service applications

- Structures with risk of collapse due to landslide
- Structures with need of verticality high precision monitoring
- Structures subject to slow sliding phenomena

A customer premises based monitoring solution for asset management

Smart Structures Solutions S.r.l.  
 Via Luciano Manara, 51 - 00153 Rome  
 P.IVA 11945241005  
 C.F. 11945241005  
**Contacts**  
 e-mail: info@smartstru.com  
 Tel. +39 06 44585738

www.smartstru.com

